



TOMORROW'S LIGHTING FOR A GREENER PLANET



Standard Cable Mount

LED Linear Highbay

Application:

Warehouse, factory and workshops;
Exhibition hall and supermarkets, etc.

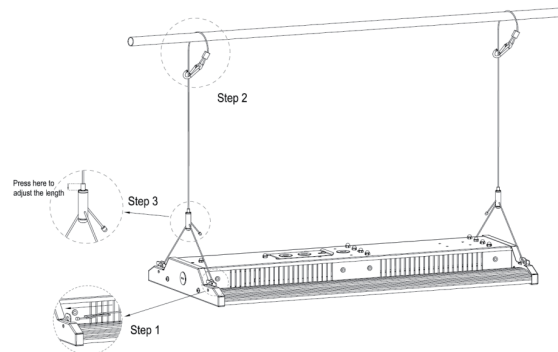


Standard Cable Mount Included

Installation:

(This installation instruction is suitable for installation by lifting rope and by chain)

- Step 1. Fix the lifting rope on the rail (Figure 1)
- Step 2. Fix the light on the lifting rope (Figure 1)
- Step 3. Adjust the rope length accordingly (Figure 1)
- Step 4. After installation, choose appropriate connecting hole, then connect the wire of the lamp to the mains according to local wiring rules, make good protection on the connection.



Item	Description	Power (W)	Lumen (LM)	CRI	Beam Angle(°)	Size(inch)	Certificate
L04294	2FT	110	13200-14300	>80	120°	23 5/8"*10 2/9"*2 1/5"	UL/DLC PREMIUM

Volt: AC120-277V

Life: 50000H

Color Temperature: 4000/5000K

Cover:Clear/Frosted



TOMORROW'S LIGHTING FOR A GREENER PLANET

8028 N.W. 68th Street Miami, Florida 33166

Tel: (305)591-8448

Fax: (305)591-8524